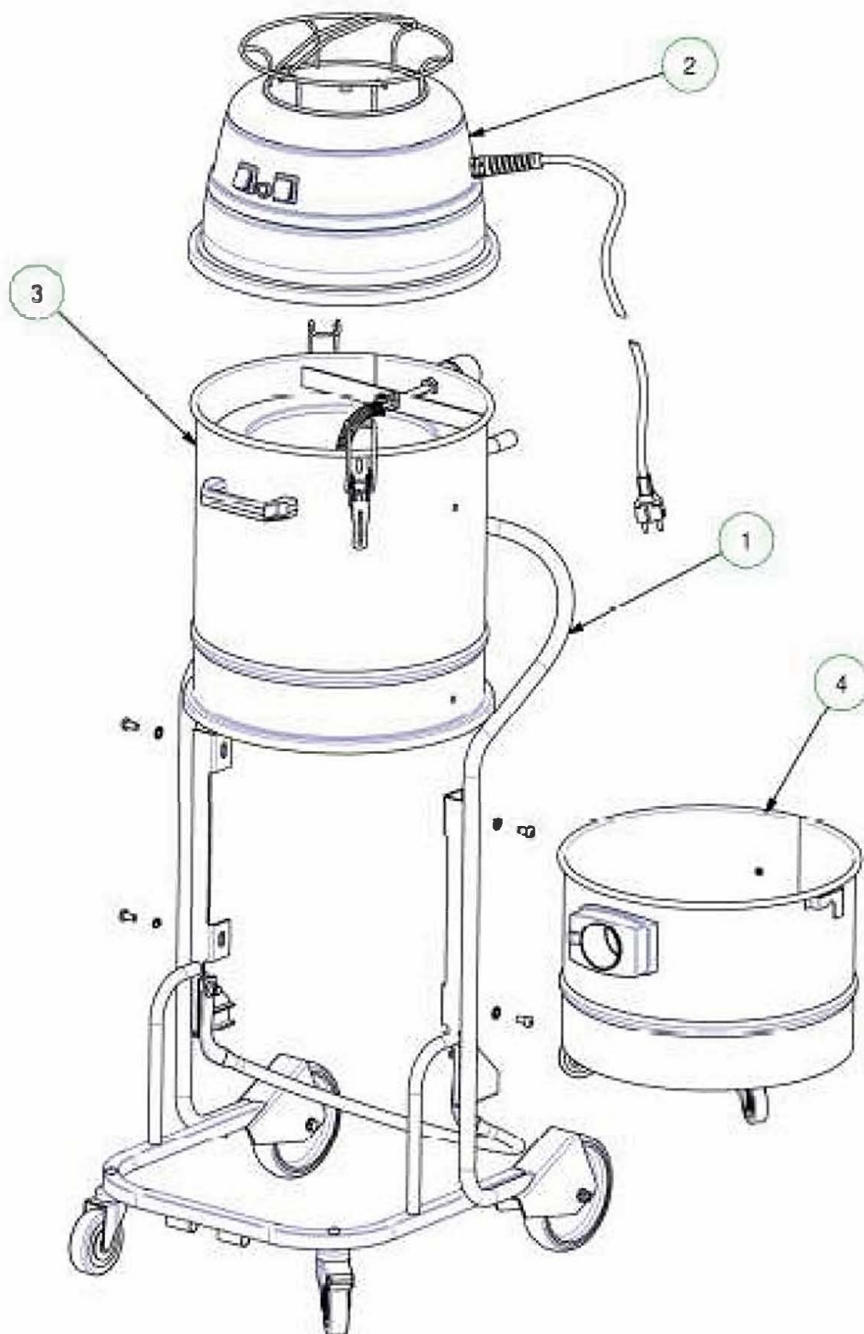




DESPIECE TÉCNICO
ASPIRADOR INDUSTRIAL
KRAI202A

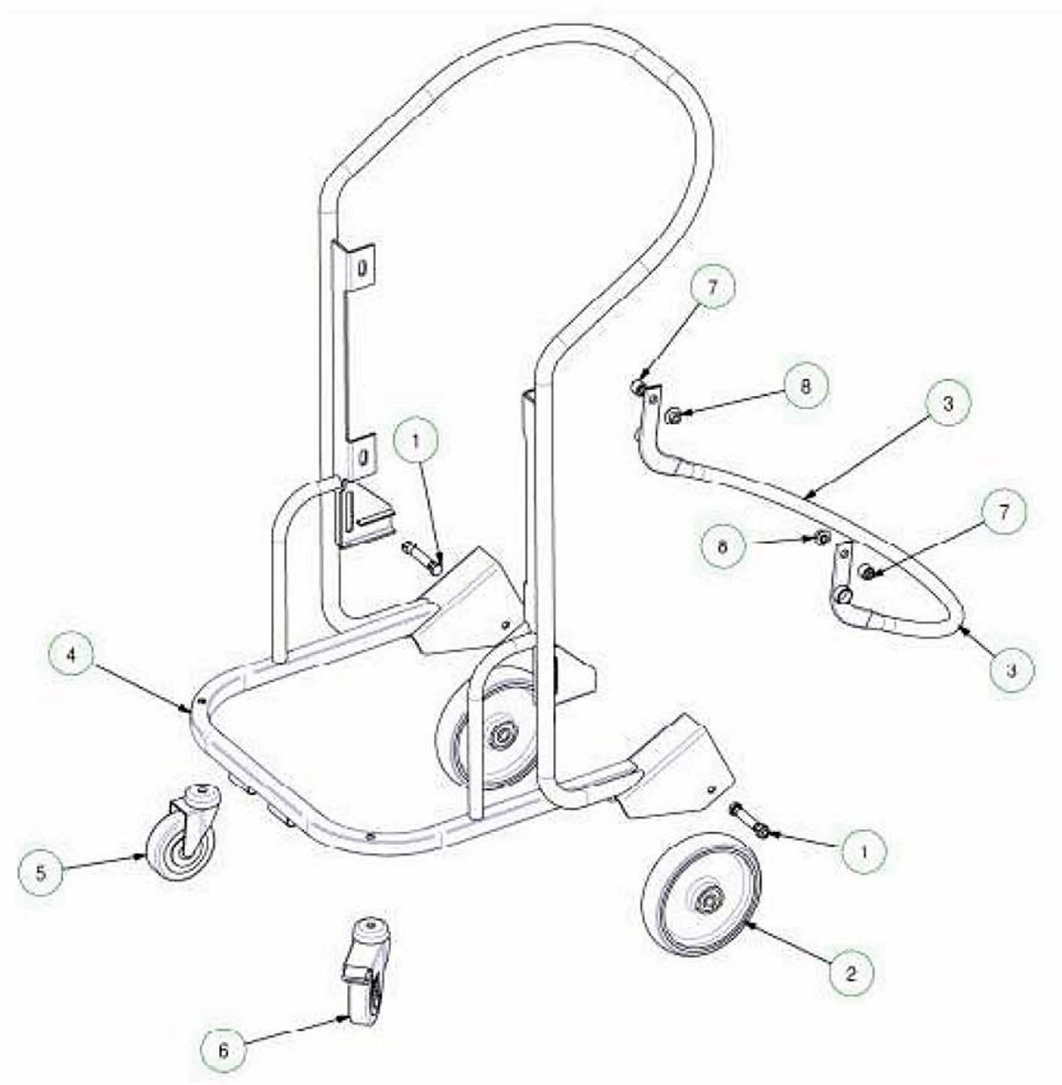


KRAI202A

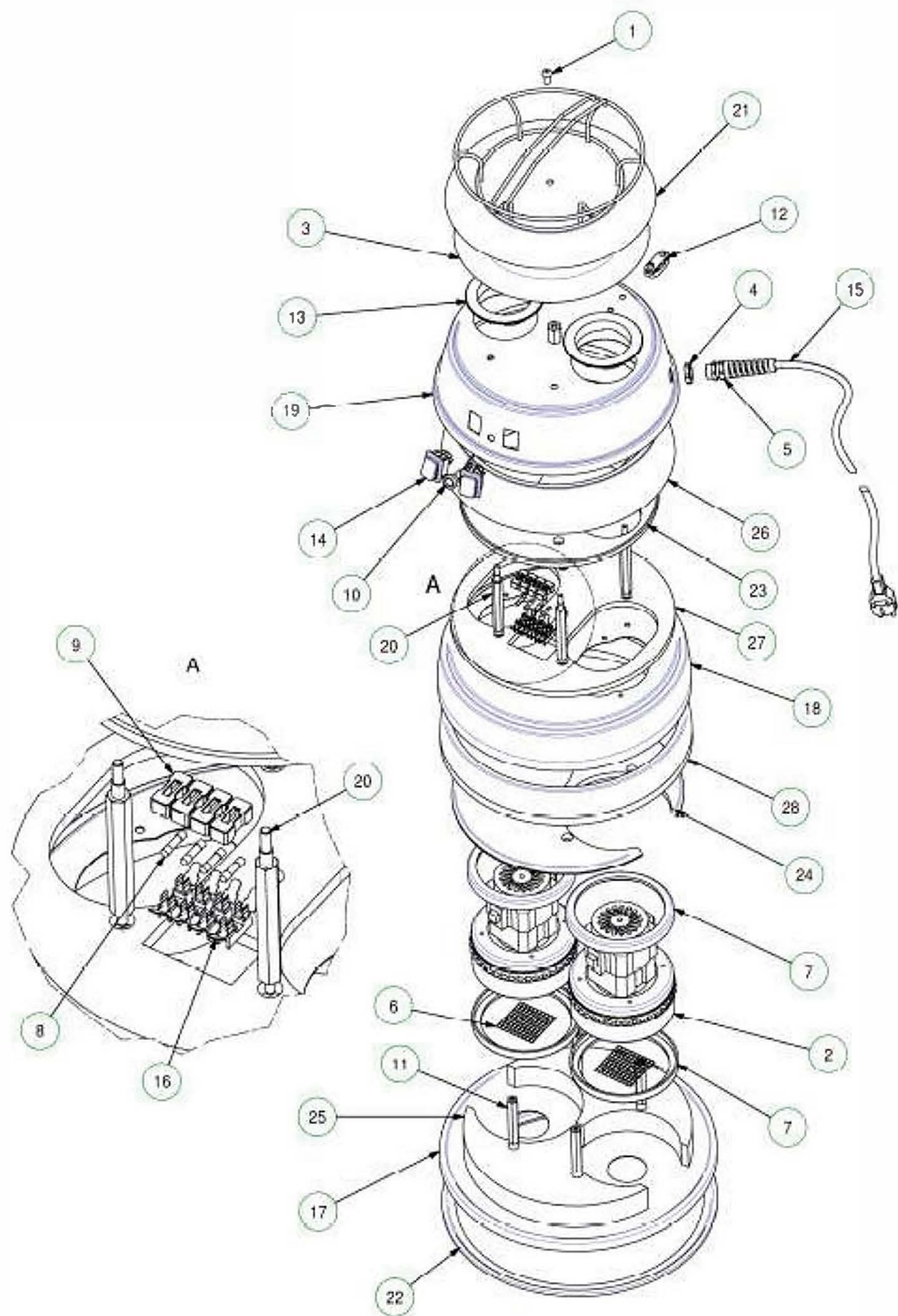


POS.	QTY	CODE	DESCRIPTION
1	1	-	MTL 202 DS CPL TROLLEY
2	1	AA2802	MTL 202 DS 2 MOTORS HEAD
3	1	AR9090	Ø360x400H (MTL 202 DS) FILTER CHAMBER KIT
4	1	AR9100	MTL 202 DS CONTAINER KIT

KRAI202A TROLLEY



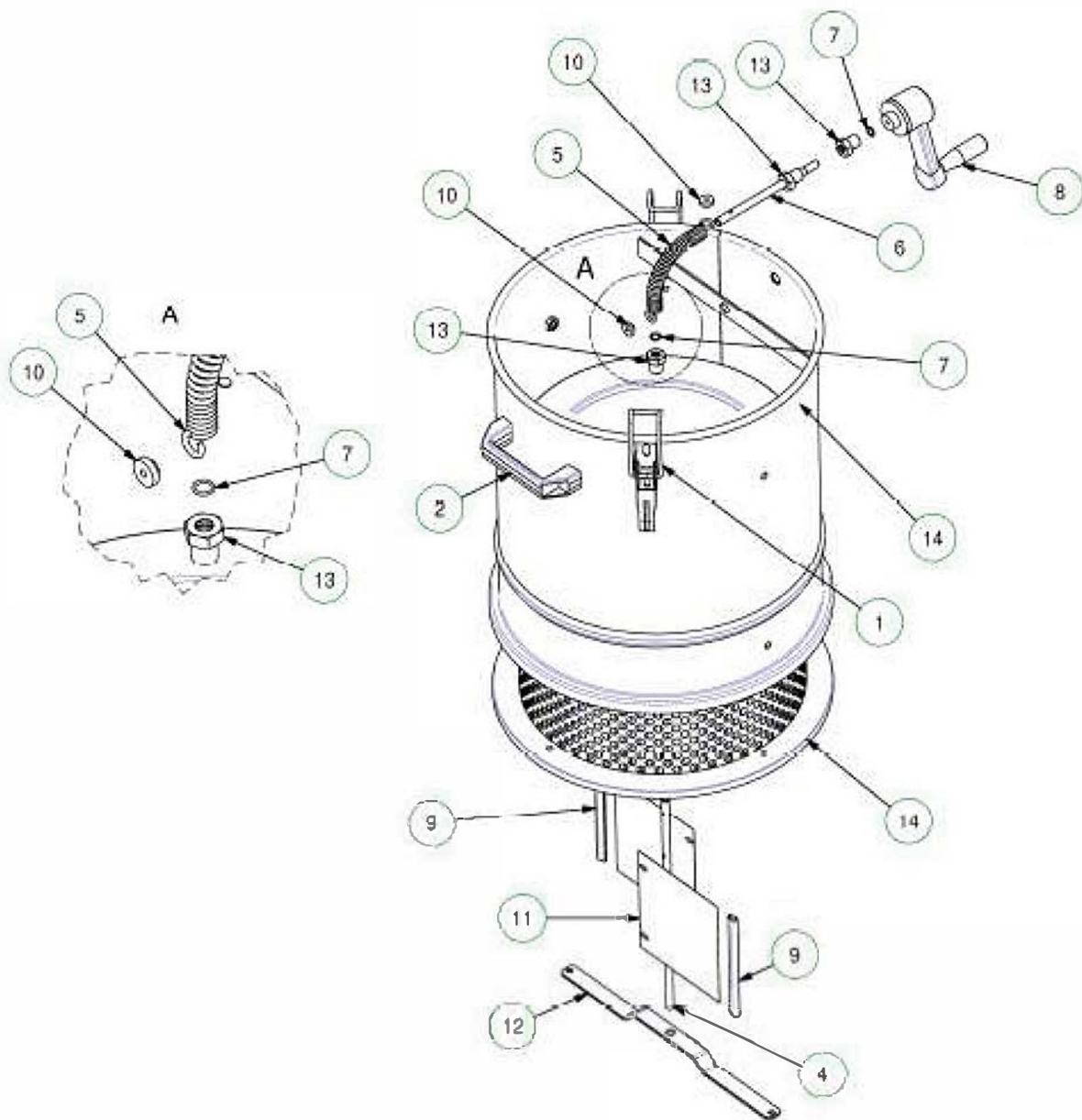
POS.	QTY	CODE	DESCRIPTION
1	2	AR4299-KIT	AR4299 WHEEL AXLE KIT
2	2	AR4299	D150 WHEEL
3	1	AR4635	MTL 202 DS LEVER KIT
4	1	AR4636	MTL 202 DS TROLLEY
5	1	AR4647	D80 CASTOR
6	1	AR4648	D80 CASTOR WITH BRAKE
7	2	AR4649	LEVER SPACER
8	2	AR4650	LEVER FULCRUM



AA2802 – 2 MOTORS HEAD

POS.	QTY	CODE	DESCRIPTION
1	1	-	ISO 7380-M8X16 SCREW
2	2	AA2783	240V 50/60Hz 1150W BY-PASS MOTOR (LAMB ELECTRIC)
3	1	AR2021	COVER NOISE BUFFERING MATERIAL
4	1	AR2027	PG 13,5 BLACK POLYAMIDE NUT
5	1	AR2028	PG 13.5 POLYAMIDE BLACK CABLE FASTENER
6	2	AR2098	ES FLANGE NET
7	4	AR2252	D. 145X5 H15 MOTOR DAMPER
8	4	AR2496	10A 5x20 CF I.I. FUSE
9	4	AR2501	FUSE BLACK COATING
10	1	AR3517	MTL GREEN LIGHT - POWER SUPPLY ON
11	4	AR3536	F/FM6 L=79 CH13 SPACER
12	1	AR3544	SBMMM932 CABLE FASTENER SUPPORT
13	2	AR4085	COOLING RING
14	2	AR4088	TWO-POLES RED LIGHT SWITCH
15	1	AR4637	3X1,5 16A SCHUKO POWER SUPPLY CABLE (10 mt.)
16	4	AR4639	16A 250V FUSE HOLDER
17	1	AR4640	MTL 202 DS BASE PLATE (2 HOLES)
18	1	AR4641	MTL 202 DS 2 HOLES MOTOR FASTENER
19	1	AR4642	MTL 202 DS 2 HOLES COVER
20	4	AR4644	MTL 202 DS COVER SPACER
21	1	AR4667	MTL 202 DS COVER WITH CABLE SUPPORT
22	1,2 m	AR4675	MTL 202 DS BASE PLATE GASKET
23	1	AR4691	MTL 202 DS COVER NOISE BUFFERING MATERIAL
24	2	AR4692	MTL 202 DS MOTOR FASTENER NOISE BUFFERING MATERIAL
25	2	AR4693	MTL 202 DS BASE PLATE NOISE BUFFERING MATERIAL
26	1	AR4696	MTL 202 DS COVER SIDE NOISE BUFFERING MATERIAL
27	1	AR4699	MTL 202 DS MOTOR FASTENER NOISE BUFFERING MATERIAL
28	1	AR4701	MOTOR FASTENER SIDE NOISE BUFFERING MATERIAL

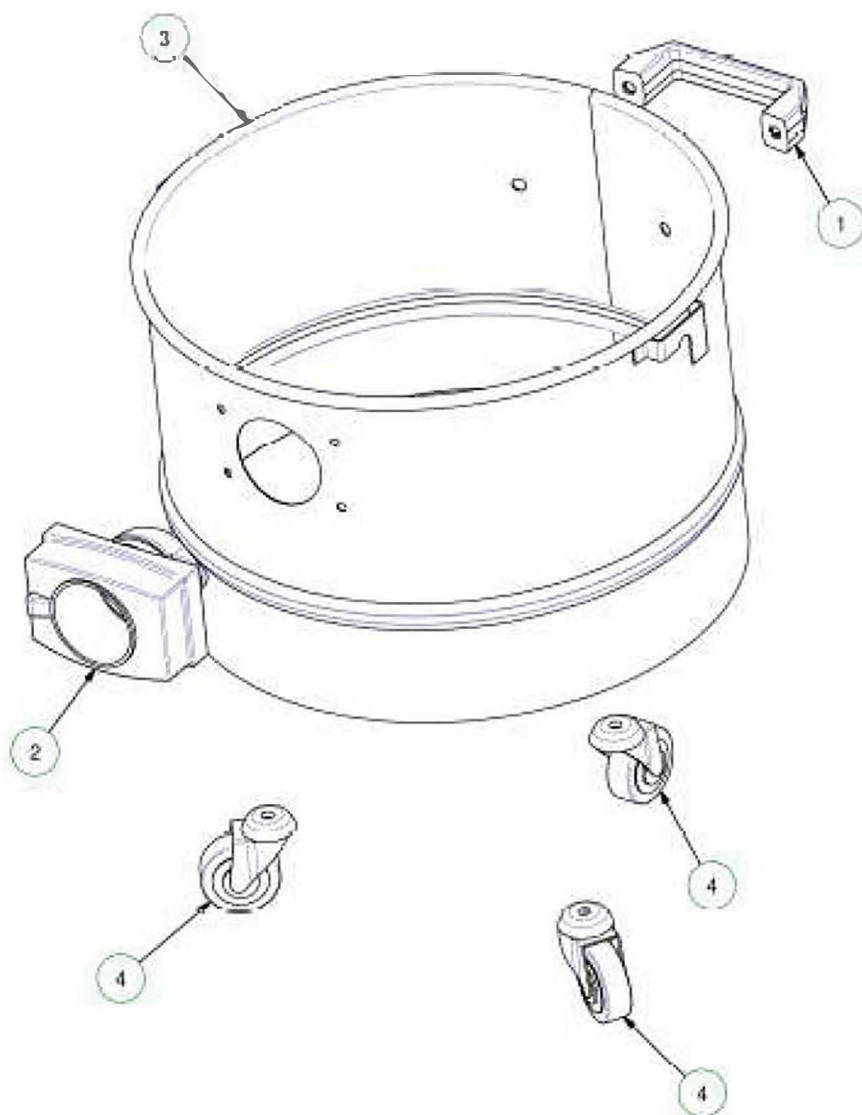
AR9090 - Ø360x400H FILTER CHAMBER KIT



AR9090 - Ø360x400H FILTER CHAMBER KIT

POS.	QTY	CODE	DESCRIPTION
1	2	AR2002	SNAP FASTENING
2	1	AR2023	HANDLE
3	1	AR4646	D. 360 H400 MTL 202 DS FILTER CHAMBER
4	1	AR4653	MTL 202 DS FILTER CLEANING SHAFT
5	1	AR4654	MTL 202 DS FILTER CLEANING SPRING
6	1	AR4655	MTL 202 DS LEVER SHAFT
7	2	AR4656	OR ØT=1,78 Øi=8,73 MTL 202 DS
8	1	AR4657	MTL 202 DS KNOB
9	2	AR4658	MTL 202 DS FLAP PROTECTION
10	2	AR4659	MTL 202 DS SPRING FIXING WASHER
11	2	AR4660	MTL 202 DS FILTER CLEANING FLAP
12	1	AR4661	MTL 202 DS PLATE FOR FILTER CLEANING SHAFT
13	3	AR4662	MTL 202 DS BUSH FOR FILTER CLEANING SHAFT
14	1	AR4663	D. 325x350H "M" CAT. CARTRIDGE FILTER

AR9100 - KRAI202A CONTAINER KIT



POS.	QTY	CODE	DESCRIPTION
1	1	AR2023	HANDLE
2	1	AR3301	D. 60 DBF PVC INLET
3	1	AR4651	D. 360 H250 MTL 202 DS CONTAINER
4	3	AR4652	D. 50 EGA CASTOR



KRÜGER TECHNOLOGY S.L.
B-82526583
Polígono Agustinos C/G Parcela B2
31013 Pamplona (Navarra) - ESPAÑA
+34 948 343 393 - info@kruger.es - www.kruger.es